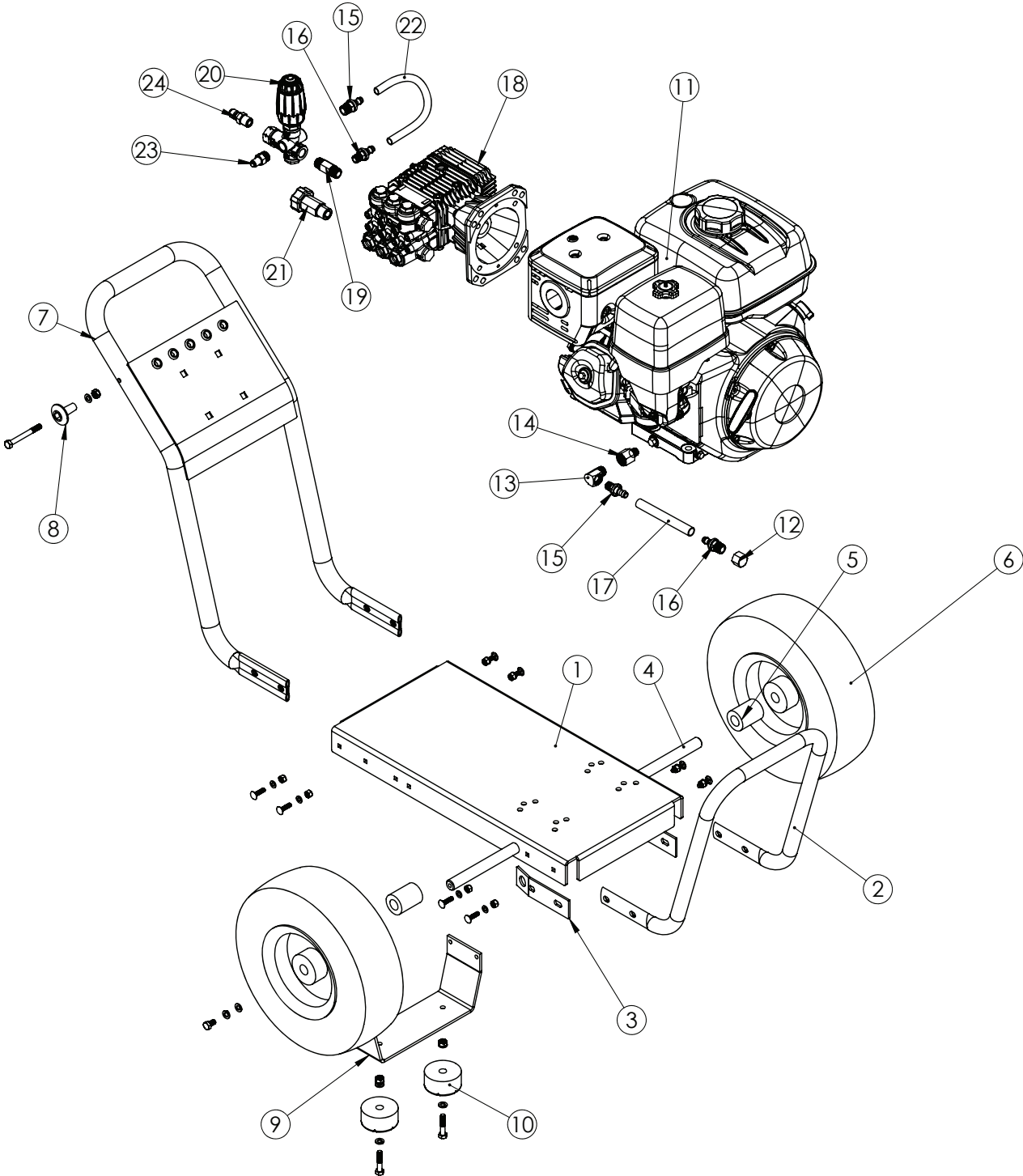


PHANTOM SILVER

Direct Drive 13" Tire



Phantom Silver Direct Drive Cold Water Pressure Washer 13" Tire

11034 – P-S4040HC, 11216 – PS4040HC, 11045 – P-S4040HCP, 11259 – P-S4040HG, 11274 – P-S4040HA, 11046 – P-S5030HC

| Position | Product Code | Part Number | Description | Qty | Model |
|-------------------|-------------------|-------------|---|-----|----------------------|
| Assembly | PW-F5 | 4246 | Aluminum Frame with Bent Handle & 13" Tires | 1 | |
| 1 | PW-F6BH | 5906 | Aluminum Base Plate for 4007 Frame | 1 | |
| 2 | HW-F8P03 | 1952 | Aluminum Front Tall Bumper Handle for F5 | 1 | |
| 3 | HW-F6P05 | 6136 | Axle Keeper For F6 & F8 Frames | 2 | |
| 4 | HW-F8P04 | 5098 | F8 Axle 3/4" OD x 605 mm Zinc Plated | 1 | |
| 5 | HW-F8P07 | 6072 | Set Wheel Spacer (Set of 2) | 1 | |
| 6 | HW-TIRE13F | 5423 | 13" Foam Filled 13" Wheel and Tire 13 x 5.0 | 2 | |
| 7 | HW-F6P01 | 3983 | Aluminum Bent Extension Handle (One Piece) | 1 | |
| 8 | HW-F6P06 | 3328 | Hard Rubber Gun & Lance Holder | 1 | |
| 9 | HW-F5FOOT | 5078 | Aluminum Tall F5 Front Foot Bracket | 1 | |
| 10 | HW-PUCK | 4542 | Foot, Rubber 2.5" x 1" | 2 | |
| 11 | HE-13 | 3586 | 13 HP GX390 Honda Engine 1" Shaft | 1 | |
| Assembly | MX-DPR02 | 5424 | Drain Pain Reliever for 8 – 13 Hp Honda Fits 12 mm Oil Port | 1 | |
| 12 | FT-CAP3 | 2350 | Brass Cap 3/8" Oil Drain | 1 | |
| 13 | FT-STEL2 | 2101 | Brass Street Elbow 1/4" Short | 1 | |
| 14 | HW-12MM2F | 5479 | Brass 12mm-1.5 Male x 1/4" FPT Adapter | 1 | |
| 15 | FT-POHB32 | 3216 | Push On Hose Barb 3/8 Hose x 1/4 MPT | 2 | |
| 16 | FT-POHB33 | 3217 | Push On Hose Barb 3/8 Hose x 3/8 MPT | 2 | |
| 17 | GY-BPH3R5 | 2479 | 3/8" x 5" Bypass Hose | 1 | |
| 18 | CMZWD4040G | 5062 | ZWD4040G 4.0 GPM 4000 PSI 1" Gas Flange | 1 | P-S4040HC / PS4040HC |
| PTG Assy. | CMZWD4040P | 6609 | Pump to Go, ZWD4040G-VRT3-310EZ with Bypass & Thermal | 1 | |
| | CP66DX40G | 6403 | 66DX40GG1 4 GPM 4000 PSI 1" Gas Shaft | 1 | P-S4040HCP |
| PTG Assy. | CP66DX40GI | 6422 | Pump to Go, 66DX40G1I Pump with Unloader | 1 | |
| | GPEZ4040G | 6076 | EZ4040G Pump 4 GPM 4000 PSI 1" Shaft | 1 | P-S4040HG |
| PTG Assy. | GPEZ4040GX | 6163 | Pump to Go, EZ4040G-VRT3-310EZ with Thermal Relief | 1 | |
| | ARRRV4G40D | 6942 | RRRV4G40HD-F24 4.0 GPM 4000 PSI 1" Gas Flange | 1 | P-S4040HA |
| PTG Assy. | ARRRV4G40X | 6589 | Pump to Go, RRV4G40D-F24 VRT3-310EZ with Bypass | 1 | |
| | CMZWD5030G | 2816 | ZWD5030G 5.0 GPM @ 4000 PSI 1" Gas Flange | 1 | P-S5030HC |
| PTG Assy. | CMZWD5030P | 3602 | Pump to Go, ZWD5030G-VRT3-310EZ with Bypass 7 Thermal | 1 | |
| 19 | FTSHN32 | 2587 | Steel Hex Nipple 3/8" MPT x 1/4" MPT, 5000 PSI | 1 | |
| 20 | UNVRT3310E | 4518 | VRT3-310EZ Black Spring Unloader 4500 PSI | 1 | |
| 21 | FT-FGH4M1P | 2176 | 3/4" FGH x 1/2" MPT Fitting with 1/4" FPT PO | 1 | |
| 22 | GY-BPH3R15 | 2864 | Line in. 3/8" x 15" Blue Bypass Hose | 1 | |
| 23 | VVTRV2 | 6534 | 1/4" MPT Thermal Relief Valve 150 Deg | 1 | |
| | VVTRV4 | 6536 | 1/2" MPT Thermal Relief Valve 150 Deg | 1 | P-S4040HCP |
| Not Shown | FTS45STEL3 | 3360 | Steel 45 Street Elbow 3/8" , 5000 PSI | 1 | P-S4040HG |
| 24 | BA-S3M | 3004 | QC Socket 3/8" MNPT Brass | 1 | |
| RQC Option | BA-P3M | 4780 | QC Plug 3/8" MNPT Steel Plated | 1 | |

Engine Options for Electric Start

| Position | Product Code | Part Number | Description | Qty | Model |
|--------------|-------------------|-------------|--|-----|-------|
| 3033 | OPGX390ES | 3947 | GX390 Electric Start with 3 AMP Charging System | 1 | |
| 11076 | OPGX390E18 | 3585 | Optinal GX390 Electric Start with 18 Charging System | 1 | |
| | HW-BATBOX | 4935 | U-1 Battery Box | 1 | |
| | HWBATBRACK | 11093 | Battery Bracket for E-Start Option | 1 | |
| | XEBATCOVRD | 5622 | 3/8 Stud Terminal Insulator Red | 1 | |
| | XECAB24BLA | 5229 | Battery Cable 36" Black with Ring Terminal | 1 | |
| | XECAB36RED | 5135 | Batter Cable 48" Red with Ring Terminal | 1 | |