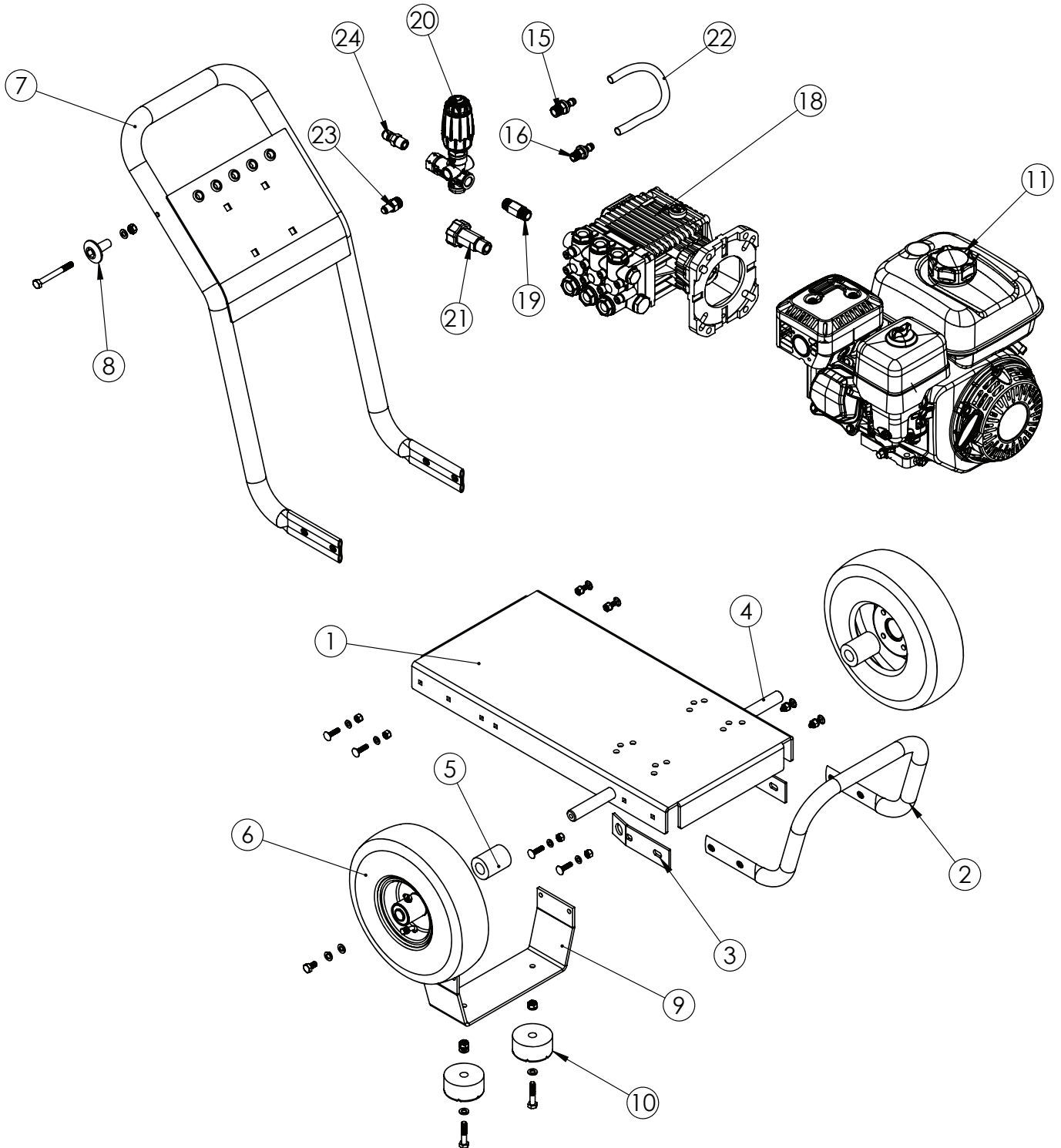


# PHANTOM SILVER

## Direct Drive 10" Economy Tire



# Phantom Silver Direct Drive Cold Water Pressure Washer 10" Economy Tire

11185 – P-S4040HCE, 11299 – P-S4040HGE,

Position	Product Code	Part Number	Description	Qty	Model
<b>Assembly</b>	<b>PW-F6BH</b>	<b>4007</b>	Aluminum Frame with Bent Handle & 10" Tires	1	
1	HW-F6BASE	5906	Aluminum Base Plate for 4007 Frame	1	
2	HW-F6P03	4918	Aluminum Front Short Bumper Handle	1	
3	HW-F6P05	6136	Axle Keeper For F6 & F8 Frames	2	
4	HW-F6P04	1434	F6 Axle 3/4" OD x 467mm Zinc Plated	1	
5	HW-F6P07	6181	F6 Axle Spacer (Set of 2)	1	
6	HW-TIRE10	2638	10" Pneumatic Tire 4.10 x 3.50-4 3/4"	2	
7	HW-F6P01	3983	Aluminum Bent Extension Handle (One Piece)	1	
8	HW-F6P06	3328	Hard Rubber Gun & Lance Holder	1	
9	HW-F6P08	6435	Aluminum Front Foot Bracket For F6 & F8 Frames	1	
10	HW-PUCK	4542	Foot, Rubber 2.5" x 1"	2	
11	HE-13	3586	13 HP GX390 Honda Engine 1" Shaft	1	
12	CMZWD4040G	5062	ZWD4040G 4.0 GPM 4000 PSI 1" Gas Flange	1	P-S4040HC
<b>PTG Assy.</b>	<b>CMZWD4040P</b>	<b>6609</b>	Pump to Go, ZWD4040G-VRT3-310EZ with Bypass & Thermal	1	
	GPEZ4040G	6076	EZ4040G Pump 4 GPM 4000 PSI 1" Shaft	1	P-S4040HG
<b>PTG Assy.</b>	<b>GPEZ4040GX</b>	<b>6163</b>	Pump to Go, EZ4040G-VRT3-310EZ with Thermal Relief	1	
13	FTSHN32	2587	Steel Hex Nipple 3/8" MPT x 1/4" MPT, 5000 PSI	1	
14	UNVRT3310E	4518	VRT3-310EZ Black Spring Unloader 4500 PSI	1	
15	FT-FGH4M1P	2176	3/4" FGH x 1/2" MPT Fitting with 1/4" FPT PO	1	
16	GY-BPH3R15	2864	Line in. 3/8" x 15" Blue Bypass Hose	1	
17	FT-POHB32	3216	Push On Hose Barb 3/8 Hose x 1/4 MPT	2	
18	FT-POHB33	3217	Push On Hose Barb 3/8 Hose x 3/8 MPT	2	
19	VVTRV2	6534	1/4" MPT Thermal Relief Valve 150 Deg	1	
	VVTRV4	6536	1/2" MPT Thermal Relief Valve 150 Deg	1	
Not Shown	FTS45STEL3	3360	Steel 45 Street Elbow 3/8" , 5000 PSI	1	
20	BA-S3M	3004	QC Socket 3/8" MNPT Brass	1	
<b>RQC Option</b>	<b>BA-P3M</b>	<b>4780</b>	QC Plug 3/8" MNPT Steel Plated	1	